

## H450 Series 3 1/4" Frame Depth Casement (Project-Out)

# H450 SERIES CASEMENT (PROJECT-OUT)

The Quaker Historical H450 Series Casement window is ideal for a variety of applications including - Historical, Landmarks, Institutions and Education.

### FEATURES

- ◇ Commercial Framing System
  - 3 1/4" main frame
  - Historically-correct bevel frame exterior
  - Minimum of 0.080" wall thickness
  - Dual Euro Groove System
  - Available with or without integral nailing fin
- ◇ Thermally Enhanced Design
  - Thermally-broken main frame and vent rails
  - Azon pour and debridge thermal break technology
- ◇ Glazing
  - 1" insulating glass
- ◇ Hardware
  - Maxim LP Locking System, Chic Hinge and Roto Hardware on crankout model
  - Maxim LP Locking System, 4-Bar Hinge and Push/Pull Cup Hardware on push-out model
- ◇ Screen
  - Easily removable FlexScreen

### BENEFITS

- ◇ Historically accurate profiles to help your project meet Historic Preservation codes
- ◇ The capacity to match exterior colors for unique project facades
- ◇ The ability to facilitate large sizes for taller and wider window openings

### OPTIONS

- ◇ Available Configurations
  - Project-out casement
  - Push-out or Crank-out (Left or Right)
  - Continuous frame capabilities
  - Fixed
- ◇ Muntin Choices
  - Internal or simulated divided lites available
- ◇ Hardware
  - Limit Travel Accessories
- ◇ Screen
  - Wicket Screen (Push-out model only)
- ◇ Glazing
  - Multiple Low-E and argon glazing choices
  - Glazing pocket can accept 1 3/8" insulating glass for sound attenuation purposes
  - Capillary tubes
  - Wide variety of glazing, tinting and thickness options
- ◇ Panning & Trim Choices
  - Wide variety of panning, receptor and trim available
- ◇ Mulling
  - Wide variety of structural mulls

### PERFORMANCE

- ◇ Structural & Thermal (test reports or thermal simulations available upon request)

Model	Casement (Project-Out)
Test Size:	36" x 60"
NAFS Rating	CW-PG90
Structural Load P.S.F.	105
Air at 50 MPH (cfm/ft <sup>2</sup> )	<0.10
Water (No Penetration) P.S.F.	10
U-Value (ranges based on multiple Low-E/Argon combinations)	0.39-0.44
SHGC (ranges based on multiple Low-E/Argon combinations)	0.14-0.48

Our products are tested to the standards of and certified by some of the foremost organizations in the fenestration industry.



# ARCHITECTURAL PAINT COATINGS AND FINISHES

◇ Baked on powder coat finish meets AAMA 2604 (an FGIA specification) and is available in unlimited colors

- Quaker Impressive Palette of Colors



- 7 Resemble Colors (painted finish resembling anodized)



- Unlimited Custom Colors

◇ AAMA 2605 (an FGIA specification) powder coat finishes (not available for all colors shown)

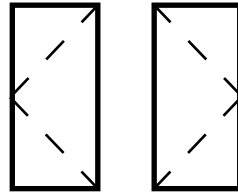
◇ SolarLE Paint Finish (available with Textured Black and Dark Espresso colors only)

◇ AAMA 611-98 Class I clear and tinted anodized finishes

\* Printed colors shown here may not accurately depict actual painted colors. Color samples are available upon request.

Our products are tested to the standards of and certified by some of the foremost organizations in the fenestration industry.

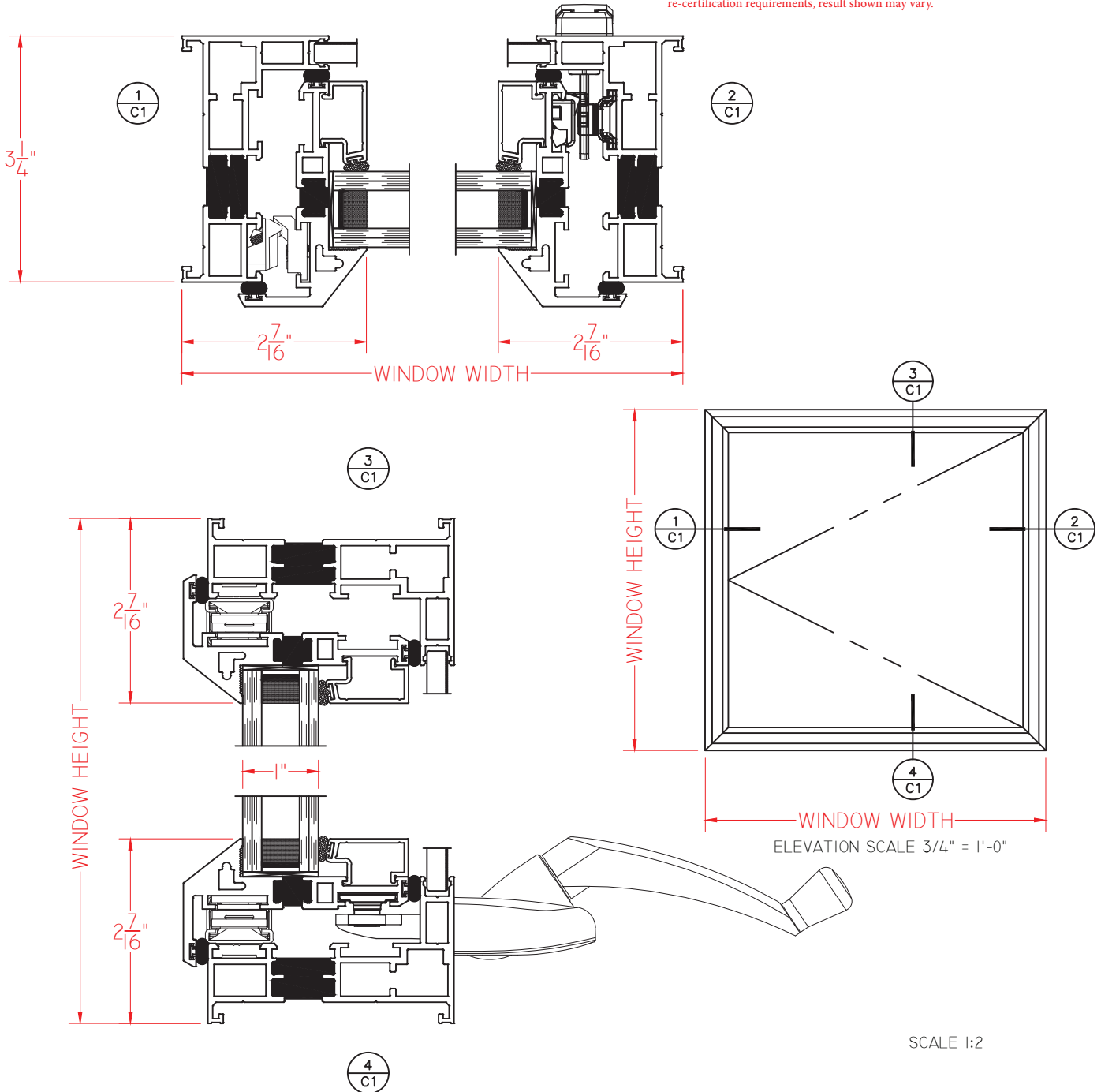




# H450 Series 3 1/4" Frame Depth Casement (Project-Out)

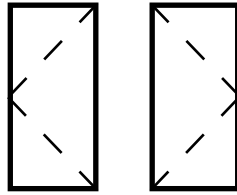
## H450 CASEMENT WITHOUT NAILING FIN (CRANK OUT)

This document contains confidential and proprietary information intended for the private use of Quaker.  
 © 2020 Quaker Window Products Co., INC. All rights reserved.  
 Quaker reserves the right to change any/all designs without notice. Due to periodic re-certification requirements, result shown may vary.



Our products are tested to the standards of and certified by some of the foremost organizations in the fenestration industry.

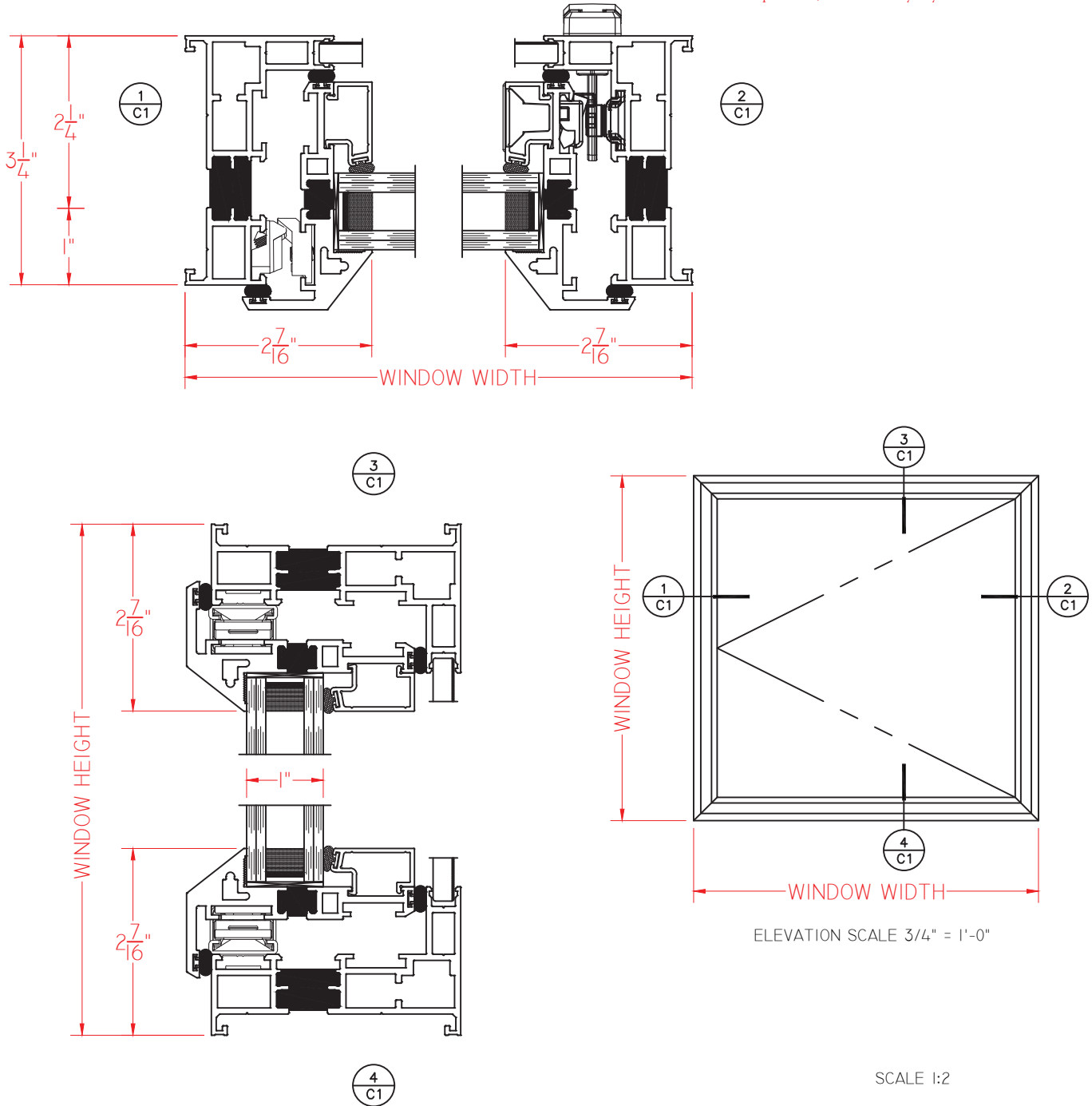




# H450 Series 3 1/4" Frame Depth Casement (Project-Out)

## H450 CASEMENT WITHOUT NAILING FIN (PUSHOUT)

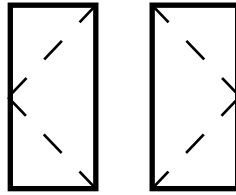
This document contains confidential and proprietary information intended for the private use of Quaker.  
 © 2020 Quaker Window Products Co., INC. All rights reserved.  
 Quaker reserves the right to change any/all designs without notice. Due to periodic re-certification requirements, result shown may vary.



SCALE 1:2

Our products are tested to the standards of and certified by some of the foremost organizations in the fenestration industry.

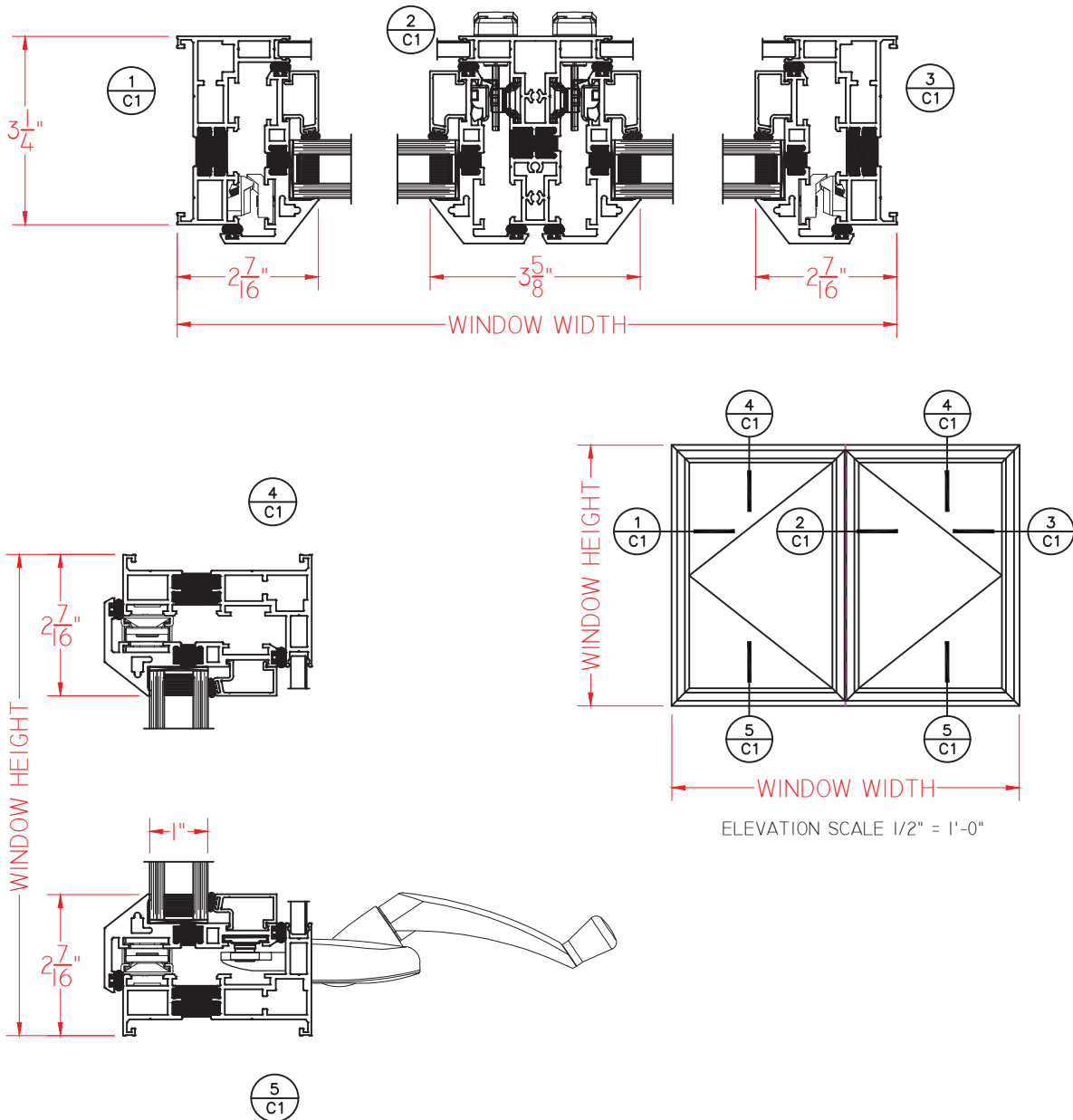




# H450 Series 3 1/4" Frame Depth Casement (Project-Out)

## H450 CASEMENT/CASEMENT (CRANK OUT)

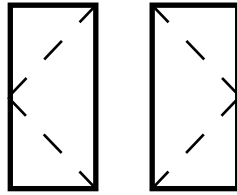
This document contains confidential and proprietary information intended for the private use of Quaker.  
 © 2020 Quaker Window Products Co., INC. All rights reserved.  
 Quaker reserves the right to change any/all designs without notice. Due to periodic re-certification requirements, result shown may vary.



SCALE 1:3

Our products are tested to the standards of and certified by some of the foremost organizations in the fenestration industry.

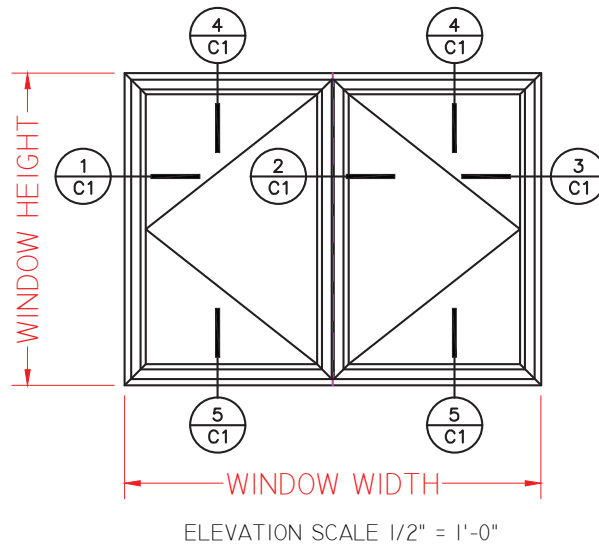
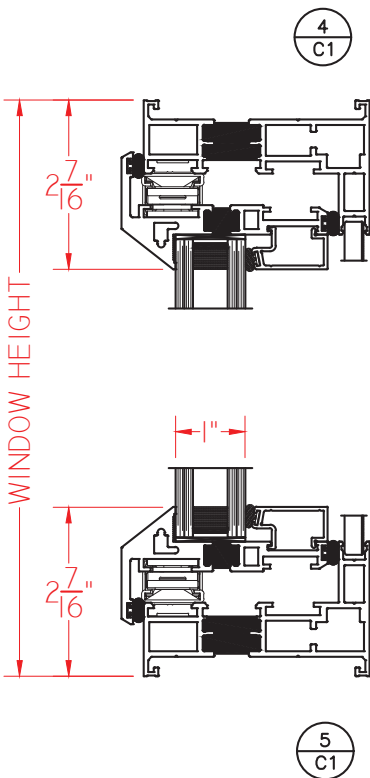
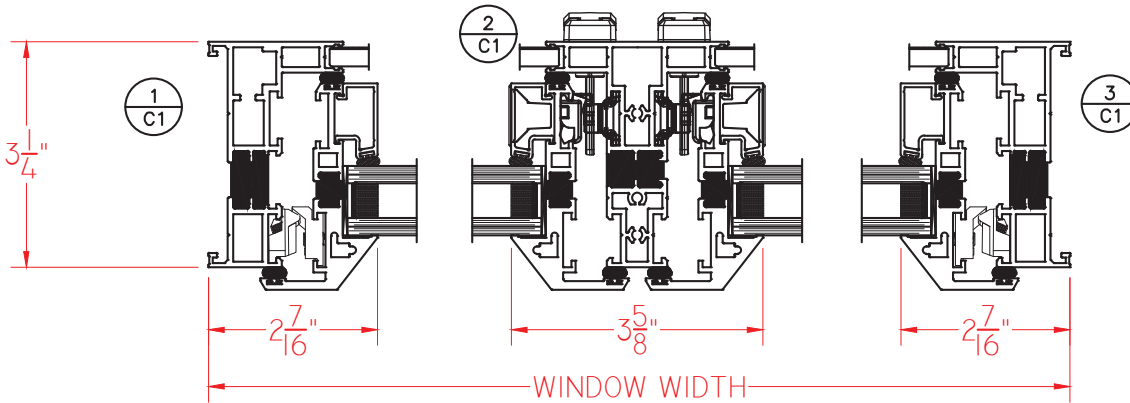




# H450 Series 3 1/4" Frame Depth Casement (Project-Out)

## H450 CASEMENT/CASEMENT (PUSH OUT)

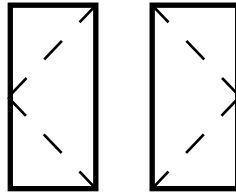
This document contains confidential and proprietary information intended for the private use of Quaker.  
 © 2020 Quaker Window Products Co., INC. All rights reserved.  
 Quaker reserves the right to change any/all designs without notice. Due to periodic re-certification requirements, result shown may vary.



SCALE 1:3

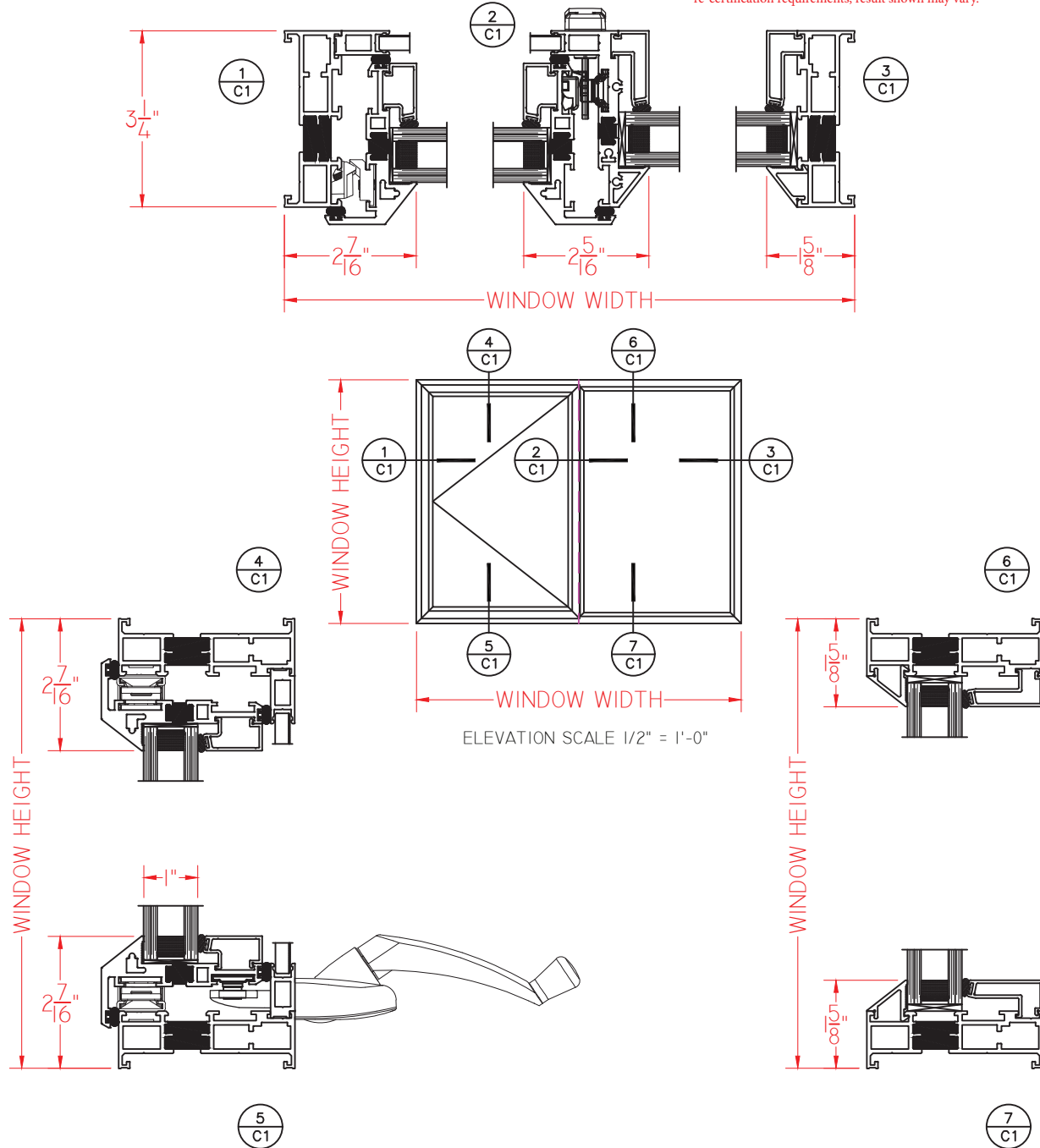
Our products are tested to the standards of and certified by some of the foremost organizations in the fenestration industry.





# H450 CASEMENT (CRANK OUT)/PICTURE WINDOW

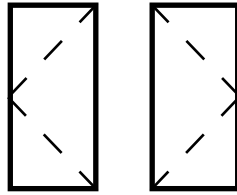
This document contains confidential and proprietary information intended for the private use of Quaker.  
© 2020 Quaker Window Products Co., INC. All rights reserved.  
Quaker reserves the right to change any/all designs without notice. Due to periodic re-certification requirements, result shown may vary.



SCALE 1:3

Our products are tested to the standards of and certified by some of the foremost organizations in the fenestration industry.

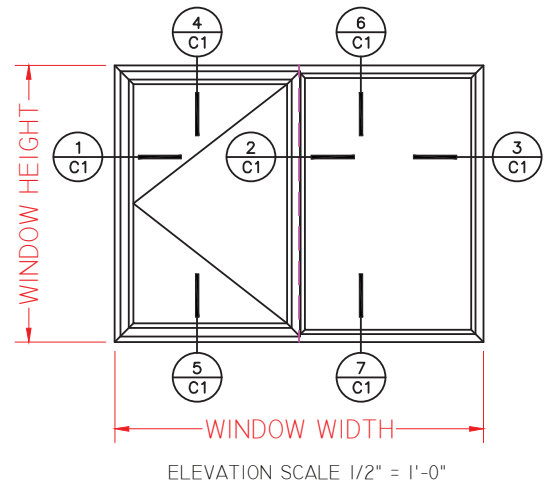
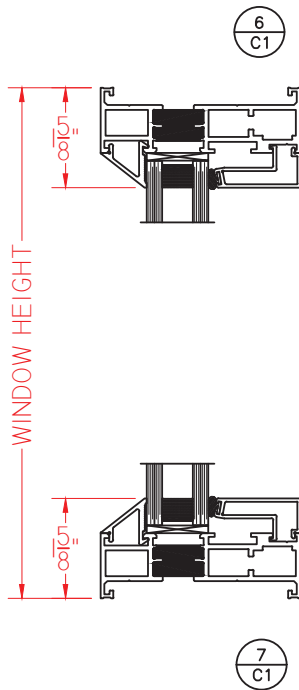
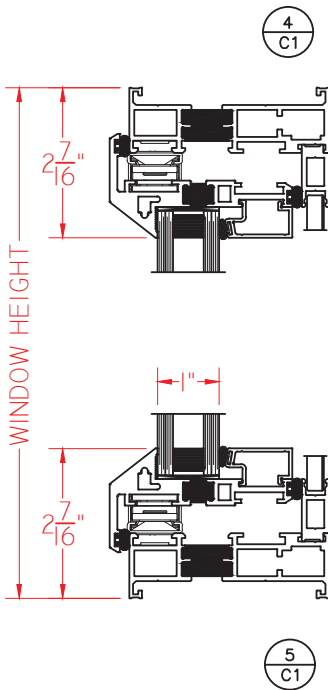
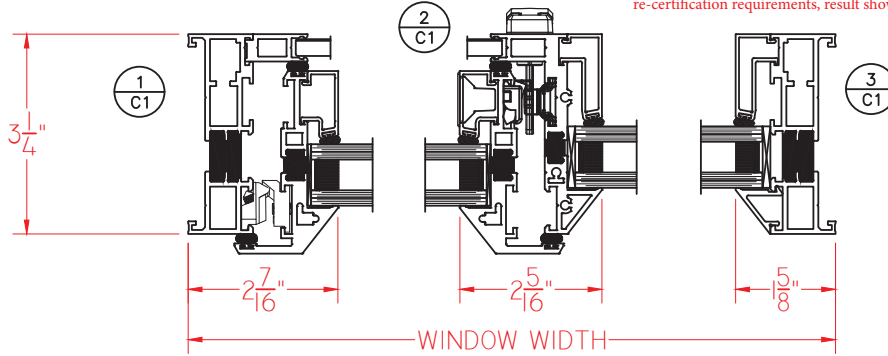




# H450 Series 3 1/4" Frame Depth Casement (Project-Out)

## H450 PICTURE WINDOW (PUSH OUT)/CASEMENT

This document contains confidential and proprietary information intended for the private use of Quaker.  
 © 2020 Quaker Window Products Co., INC. All rights reserved.  
 Quaker reserves the right to change any/all designs without notice. Due to periodic re-certification requirements, result shown may vary.

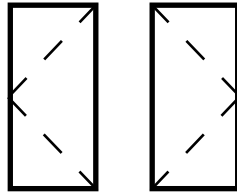


SCALE 1:3

Our products are tested to the standards of and certified by some of the foremost organizations in the fenestration industry.



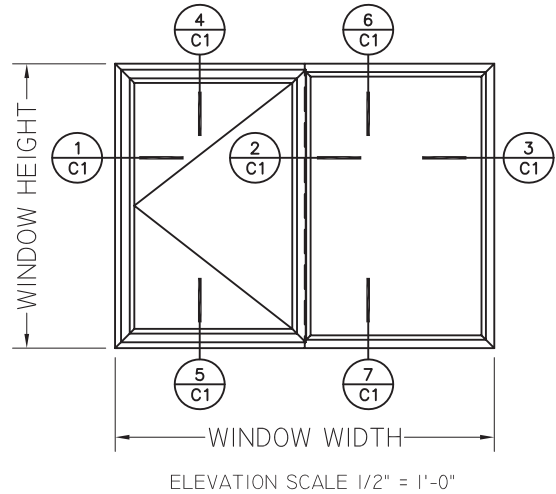
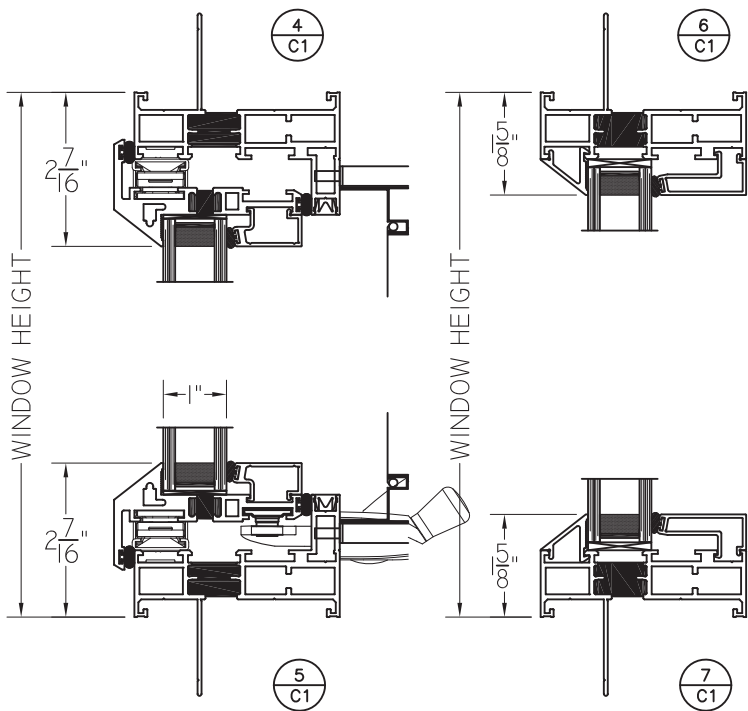
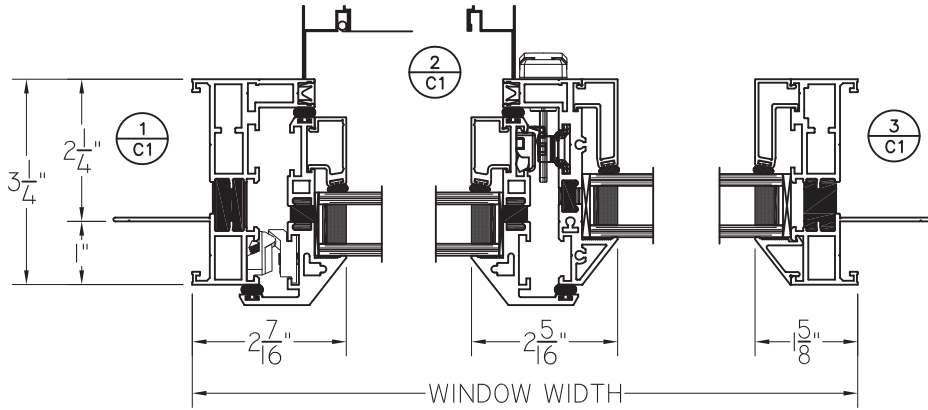




# H450 Series 3 1/4" Frame Depth Casement (Project-Out)

## H450 CASEMENT/CASEMENT (PUSH OUT) WITH OPTIONAL NAIL FIN

This document contains confidential and proprietary information intended for the private use of Quaker.  
 © 2020 Quaker Window Products Co., INC. All rights reserved.  
 Quaker reserves the right to change any/all designs without notice. Due to periodic re-certification requirements, result shown may vary.



SCALE 1:3

Our products are tested to the standards of and certified by some of the foremost organizations in the fenestration industry.

